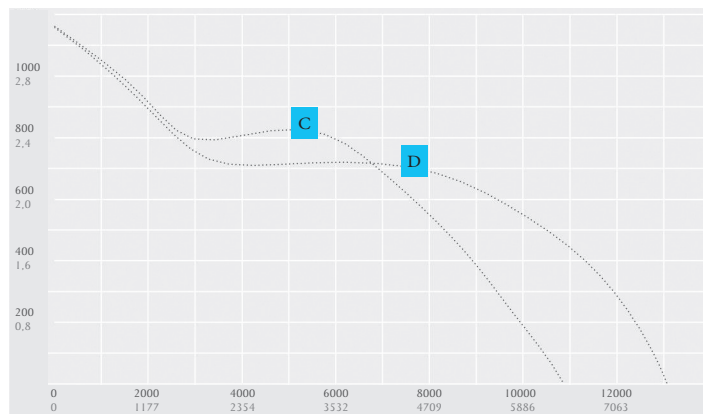
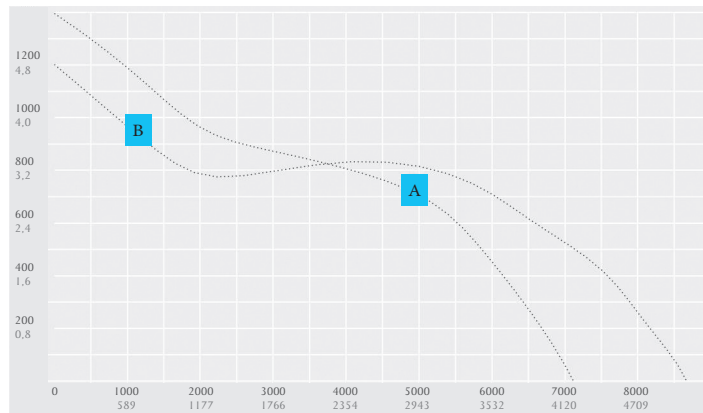


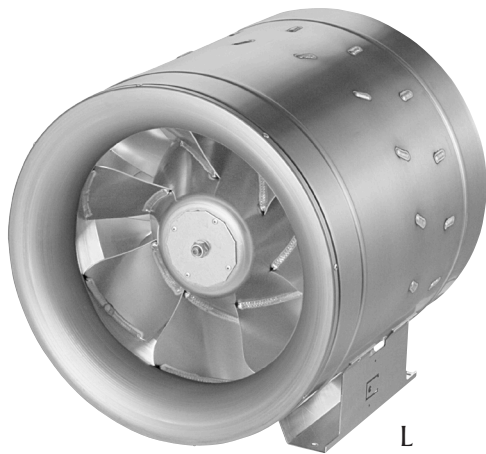
EL-EC

High efficiency, with EC Motor

- Highest energy efficiency through electronically commutated permanent magnet motors
- Considerably reduces losses in installation
- Can be combined with the constant pressure control CON P1000
- Additional energy savings by steplessly adjusting the air flow volume to the actual demand
- The fans can be connected to a superordinate control system
- Extremely compact and weight optimized fan
- Aluminium blades (AL)
- Diagonal fan with aluminium, three-dimensionally shaped rotor and stator blades (AL)



Type	U _N V	f _N Hz	I _{max.} A	P _N W	V cfm / m ³ /h	η _{lt} %	η _{st} %	L _{WA5} dB(A)	L _{WA6} dB(A)	L _{WA2} dB(A)	t _a °C	t _m °C	Weight (lbs)	ØDxL in	
A	EL-AL 400 EC 01 (12")	230V ~	50	8,8	1540	4191 / 7120	66	60	86	91	77	80	80	30,9	15,9 x 16,4
B	EL-AL 450 EC 01 (14")	230V ~	50	9,9	1700	5103 / 8670	72	66	81	91	78	55	55	36,8	17,8 x 18,4
C	EL-AL 500 EC 01 (14")	400V 3~	50	3,3	1850	6398 / 10870	75	69	84	92	78	55	55	48,7	19,8 x 20,3
D	EL-AL 560 EC 01 (16")	400V 3~	50	4,4	2450	7699 / 13080	69	63	91	94	82	50	50	66,1	22,2 x 22,9
E	EL-AL 630 EC 01 (20")	400V 3~	50	3,8	2250	8888 / 15100	75	69	88	90	81	50	50	84,6	25,0 x 25,7
F	EL-AL 710 EC 01 (22")	400V 3~	50	5,7	3100	11890 / 20200	75	70	87	91	80	80	80	111,8	28,1 x 28,8



ØD

L

- Variable installation in horizontal or vertical position
- Direct in-line installation
- Integrated mounting bracket for easy fan installation
- For mounting, we recommend using cushioned clamps to reduce noise transmission into the ducting system
- Insulation Class Motor: F
- IP Complete Unit: IPX4

