

# XMF

## Mobile long-cased axial fans

Mobile fans with possibility of directing airflow.



### Fan:

- Sheet steel tubular casing.
- Impeller in polyamide 6 reinforced with fibre glass
- Protection guard against contacts, in accordance with standard UNE 100250, on both sides
- Connection box with start-stop switch that can be rearmed manually to avoid switching the fan on accidentally (ISO 12100-2)
- Airflow direction from motor to impeller

### Motor:

- Single-phase two-speed motors with IE-2 efficiency, except lower powers 0.75 kW.
- Class F motors, with ball bearings and IP55 protection, except single-phase versions from size 35 to size 56, IP54 protection.
- Single-phase 230V.-50Hz., and three-phase 230/400V.-50Hz.
- Working temperature: -25°C.+ 50°C

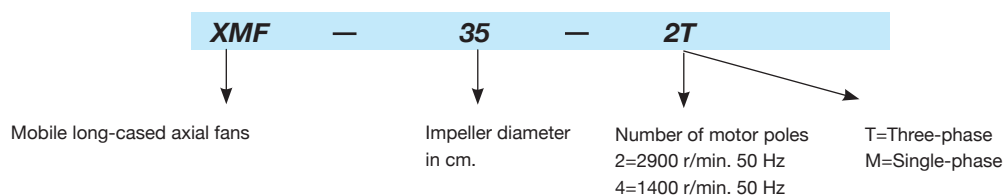
### Finish:

- Anticorrosive finish in polyester resin, polymerised at 190°C, after alkaline degreasing and phosphate-free pre-treatment.

### On request:

- Airflow direction from impeller to motor
- 100% reversible impellers.
- Special windings for different voltages
- ATEX certification, Category 2

## Order code



## Technical characteristics

Model	Speed (r/min)	Maximum admissible current (A)		Installed power (kW)	Maximum airflow (m³/h)	Sound pressure level dB(A)	Approx. weight (Kg)
		230V	400V				
XMF-35-2T	2710	1.92	1.11	0.37	5750	77	13
XMF-35-2M	2780	2.53		0.37	5750	77	13
XMF-35-4T	1320	0.65	0.38	0.09	3100	59	12
XMF-35-4M	1380	0.65		0.09	3100	59	12
XMF-40-4T	1350	1.66	0.96	0.25	5150	64	19
XMF-40-4M	1370	2		0.25	5150	64	19
XMF-45-4T	1370	2.02	1.17	0.37	7100	68	22
XMF-45-4M	1400	2.76		0.37	7100	68	22
XMF-56-4T	1380	2.92	1.69	0.55	11050	72	27
XMF-56-4M	1400	4.4		0.55	11050	72	27
XMF-63-4T	1400	4.03	2.32	1.1	17000	74	35

Model	MC	EC	VSD	SR	ηe[%]	N	(kW)	(m³/h)	(mmH₂O)	(RPM)
XMF-35-2T	A	S	NO	1.00	37.1%	45.2	0.515	2998	23.40	2737
XMF-35-2M	A	S	NO	1.00	36.5%	44.6	0.524	2983	23.52	2791
XMF-35-4T	A	S	NO	1.00	27.4%	39.3	0.128	1857	6.94	1400
XMF-35-4M	A	S	NO	1.00	25.6%	37.4	0.137	1851	6.96	1425
XMF-40-4T	A	S	NO	1.00	32.0%	41.7	0.289	3401	10.00	1396
XMF-40-4M	A	S	NO	1.00	28.2%	37.5	0.329	3332	10.23	1401
XMF-45-4T	A	S	NO	1.00	33.4%	41.8	0.475	4228	13.80	1392
XMF-45-4M	A	S	NO	1.00	29.6%	37.6	0.538	4257	13.73	1410
XMF-56-4T	A	S	NO	1.00	33.2%	40.6	0.660	6808	11.81	1405
XMF-56-4M	A	S	NO	1.00	32.7%	40.1	0.669	6622	12.13	1422
XMF-63-4T	C	S	NO	1.00	45.3%	51.1	1.179	10593	18.50	1412



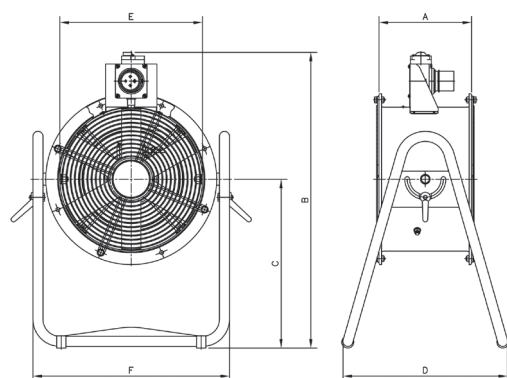
### Acoustic features

The specified values are determined according to free field measurements of pressure and sound levels in dB(A) at an equivalent distance of twice the fan's span plus the impeller's diameter, with a minimum of 1.5 m.

Sound power Lw(A) spectrum in dB(A) via frequency band in Hz.

Model	63	125	250	500	1000	2000	4000	8000	Model	63	125	250	500	1000	2000	4000	8000
XMF-35-2	42	59	71	79	84	84	80	73	XMF- 45-4	33	50	62	70	75	75	71	64
XMF- 35-4	24	41	53	61	66	66	62	55	XMF- 56-4	39	56	69	76	81	82	77	70
XMF- 40-4	29	46	58	66	71	71	67	60	XMF- 63-4	43	60	73	80	85	86	81	74

### Dimensions in mm



Model	A	B	C	D	E	F
XMF-35	280	736	420	415	355	489
XMF-40	320	775	481	450	410	596
XMF-45	360	795	481	453	460	596
XMF-56	400	945	594	522	560	726
XMF-63	430	978	594	522	640	805

### Characteristics of jet with fan positioned 1 metre away from point 0

