



XRF

XRF: Axial roof fans with flat base

Axial roof fans with plastic fibreglass-reinforced impeller, with a flat base to mount on the roof.



Fan:

- Sheet steel base plate.
- Impellers in polyamide 6 reinforced with fibre glass
- Bird guard
- Sheet steel rain deflector hood with anticorrosive protection, except models 80,90,100 which come in polyester
- Airflow direction from motor to impeller

Motor:

- Single-phase two-speed motors with IE-2 efficiency, except lower powers 0.75 kW.
- Class F motors, with ball bearings and IP55 protection, except single-phase versions from size 45 to size 63, IP54 protection.
- Single-phase 220-240V-50Hz. and three-phase 220-240V/380-415V-50Hz. (up to 5.5CV.) and 400/690V.-50Hz. (power over 5.5CV.)
- Max. air temperature to transport: -25°C+ 60°C

Finish:

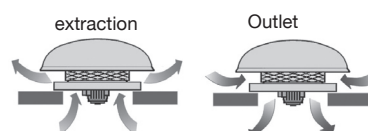
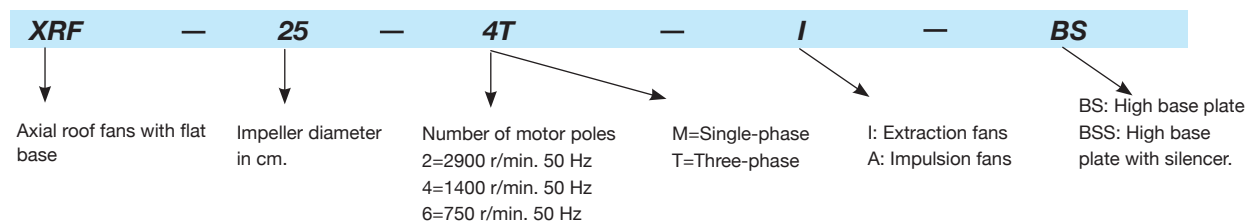
- Anticorrosive finish in polyester resin, polymerised at 190°C, after alkaline degreasing and phosphate-free pre-treatment.

On request:

- Possibility of supply as IMPULSION FANS
- AL version cast aluminium impellers.
- Special windings for different voltages
- ATEX certification, Category 2



Order code



Technical characteristics

Model	Speed (r/min)	Max. admissible current (A)			Installed power (kW)	Maximum airflow (m³/h)	Sound pressure level dB(A)		Approx. weight (Kg)
		230V	400V	690V			Inlet	Outlet	
XRF-25-4T	1320	0.65	0.38	0.09	1080	41	40	12.5	
XRF-25-4M	1380	0.65		0.10	1080	41	40	12.5	
XRF-31-4T	1320	0.65	0.38	0.09	1800	47	46	13.3	
XRF-31-4M	1370	0.83		0.09	1800	47	46	13.5	
XRF-35-4T	1320	0.65	0.38	0.09	2600	48	47	17.5	
XRF-35-4M	1370	0.83		0.09	2600	48	47	17.5	
XRF-40-4T	1350	1.66	0.96	0.25	4600	51	50	21.0	
XRF-40-4M	1370	2.00		0.25	4600	51	50	21.0	
XRF-45-4T	1370	2.02	1.17	0.37	6500	55	53	29.0	
XRF-45-4M	1400	2.76		0.37	6500	55	54	30.5	
XRF-50-4T	1380	2.92	1.69	0.55	8500	59	57	36.0	
XRF-50-4M	1350	4.40		0.55	8500	59	57	39.0	
XRF-56-4T	1410	3.10	1.79	0.75	9800	61	57	35.0	
XRF-56-4M	1410	5.05		0.75	9800	61	57	37.0	
XRF-56-6T	900	1.51	0.87	0.25	6600	48	46	46.0	
XRF-56-6M	900	2.07		0.25	6600	48	46	46.0	
XRF-63-4T	1400	4.03	2.32	1.10	14000	63	59	65.8	
XRF-63-6T	900	2.24	1.30	0.37	9200	52	49	61.8	
XRF-63-6M	900	2.69		0.37	9200	52	49	61.8	
XRF-71-4T	1430	5.96	3.44	1.50	18000	69	67	64.0	
XRF-71-6T	900	2.99	1.73	0.55	12200	58	56	64.9	

Technical characteristics

Model	Speed (r/min)	Max. admissible current (A)			Installed power (kW)	Maximum airflow (m ³ /h)	Sound pressure level dB(A)		Approx. weight (Kg)
		230V	400V	690V			Inlet	Outlet	
XRF-71-6M	900	3.84			0.55	12200	58	56	64.9
XRF-80-4T	1445	8.36	4.83		2.20	26200	73	70	87.8
XRF-80-6T	945	4.88	2.82		1.10	18000	64	61	81.8
XRF-90-4T	1445	10.96	6.33		3.00	31500	77	74	94.0
XRF-90-6T	955	6.42	3.71		1.50	21200	68	65	91.0
XRF-100-4T-7.5	1440		11.60	6.72	5.50	37000	80	77	114.0
XRF-100-4T-10	1455		14.20	8.20	7.50	44000	84	81	125.0
XRF-100-6T-2	955	6.42	3.71		1.50	25000	71	68	102.0
XRF-100-6T-3	955	9.30	5.30		2.20	28200	75	72	106.0
XRF-100-8T-1.5	705	5.63	3.25		1.10	19050	64	61	103.0
XRF-100-8T-2	705	7.10	4.10		1.50	21100	66	63	114.0

Erp. BEP (best efficiency point) characteristics

Model	MC	EC	VSD	SR	ηe[%]	N	(kW)	(m ³ /h)	(mmH ₂ O)	(RPM)
XRF-25-4T	-	-	-	-	-	-	0.099	586	3.45	1358
XRF-25-4M	-	-	-	-	-	-	0.102	566	3.59	1386
XRF-31-4T	-	-	-	-	-	-	0.103	1013	4.06	1397
XRF-31-4M	-	-	-	-	-	-	0.111	1004	4.09	1418
XRF-35-4T	A	S	NO	1.00	27.4%	39.3	0.128	1857	6.94	1400
XRF-35-4M	A	S	NO	1.00	25.6%	37.4	0.137	1851	6.96	1425
XRF-40-4T	A	S	NO	1.00	32.0%	41.7	0.289	3401	10.00	1396
XRF-40-4M	A	S	NO	1.00	28.2%	37.5	0.329	3332	10.23	1401
XRF-45-4T	A	S	NO	1.00	33.4%	41.8	0.475	4228	13.80	1392
XRF-45-4M	A	S	NO	1.00	29.6%	37.6	0.538	4257	13.73	1410
XRF-50-4T	A	S	NO	1.00	29.5%	37.0	0.649	3716	18.91	1406
XRF-50-4M	A	S	NO	1.00	28.6%	36.0	0.668	3673	19.10	1422
XRF-56-4T	A	S	NO	1.00	33.2%	40.3	0.759	6599	14.03	1423
XRF-56-4M	A	S	NO	1.00	31.4%	38.4	0.796	6344	14.48	1435
XRF-56-6T	A	S	NO	1.00	31.4%	41.7	0.237	3564	7.69	919
XRF-56-6M	A	S	NO	1.00	26.6%	36.3	0.293	4104	6.98	933
XRF-63-4T	C	S	NO	1.00	45.3%	51.1	1.179	10593	18.50	1412
XRF-63-6T	C	S	NO	1.00	32.7%	41.1	0.474	6417	8.88	921
XRF-63-6M	C	S	NO	1.00	32.2%	40.6	0.482	6339	8.99	915
XRF-71-4T	C	S	NO	1.00	50.1%	55.3	1.508	13256	20.95	1442
XRF-71-6T	C	S	NO	1.00	35.7%	43.0	0.710	8036	11.60	913
XRF-71-6M	C	S	NO	1.00	33.6%	40.7	0.755	7945	11.73	908
XRF-80-4T	C	S	NO	1.00	56.7%	60.7	2.309	16178	29.73	1451
XRF-80-6T	C	S	NO	1.00	46.7%	52.1	1.380	15312	15.45	946
XRF-90-4T	C	S	NO	1.00	58.1%	61.1	3.362	20308	35.36	1447
XRF-90-6T	C	S	NO	1.00	50.9%	55.7	1.777	18106	18.37	957
XRF-100-4T-7.5	C	S	NO	1.00	51.0%	52.4	5.965	27281	40.95	1443
XRF-100-4T-10	C	S	NO	1.00	47.5%	48.1	7.982	36164	38.48	1458
XRF-100-6T-2	C	S	NO	1.00	47.5%	52.5	1.619	19961	14.14	953
XRF-100-6T-3	C	S	NO	1.00	47.3%	51.1	2.461	23849	17.92	959
XRF-100-8T-1.5	C	S	NO	1.00	47.6%	52.9	1.452	19345	13.11	707
XRF-100-8T-2	C	S	NO	1.00	42.7%	47.2	1.923	20901	14.42	706

Best efficiency point data of the internal fan

Acoustic features

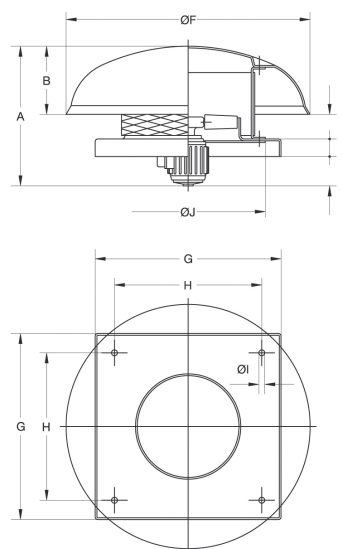
The specified values are determined according to free field measurements of pressure and sound levels in dB(A) at a distance of 6 m.

Sound power Lw(A) spectrum in dB(A) via frequency band in Hz.

Model	63	125	250	500	1000	2000	4000	8000	Model	63	125	250	500	1000	2000	4000	8000
XRF-25	27	37	54	54	62	58	51	42	XRF-25	26	36	53	53	61	57	50	41
XRF-31	33	43	60	60	68	64	57	48	XRF-31	32	42	59	59	67	63	56	47
XRF-35	34	44	61	61	69	65	58	49	XRF-35	33	43	60	60	68	64	57	48
XRF-40	28	45	57	65	70	70	66	59	XRF-40	27	44	56	64	69	69	65	58
XRF-45	32	49	61	69	74	74	70	63	XRF-45	30	47	59	67	72	72	68	61
XRF-50	36	53	65	73	78	78	74	67	XRF-50	34	51	63	71	76	76	72	65
XRF-56-4	38	55	67	75	80	80	76	69	XRF-56-4	34	51	63	71	76	76	72	65
XRF-56-6	25	42	54	62	67	67	63	56	XRF-56-6	23	40	52	60	65	65	61	54
XRF-63-4	40	57	69	77	82	82	78	71	XRF-63-4	36	53	65	73	78	78	74	67
XRF-63-6	29	46	58	66	71	71	67	60	XRF-63-6	26	43	55	63	68	68	64	57
XRF-71-4	46	63	75	83	88	88	84	77	XRF-71-4	44	61	73	81	86	86	82	75
XRF-71-6	35	52	64	72	77	77	73	66	XRF-71-6	33	50	62	70	75	75	71	64
XRF-80-4	57	78	85	90	93	89	82	71	XRF-80-4	54	75	82	87	90	86	79	68
XRF-80-6	48	69	76	81	84	80	73	62	XRF-80-6	45	66	73	78	81	77	70	59
XRF-90-4	61	82	89	94	97	93	86	75	XRF-90-4	58	79	86	91	94	90	83	72
XRF-90-6	52	73	80	85	88	84	77	66	XRF-90-6	49	70	77	82	85	81	74	63
XRF-100-4-7.5	64	85	92	97	100	96	89	78	XRF-100-4-7.5	61	82	89	94	97	93	86	75
XRF-100-4-10	68	89	96	101	104	100	93	82	XRF-100-4-10	65	86	93	98	101	97	90	79
XRF-100-6-2	55	76	83	88	91	87	80	69	XRF-100-6-2	52	73	80	85	88	84	77	66
XRF-100-6-3	59	80	87	92	95	91	84	73	XRF-100-6-3	56	77	84	89	92	88	81	70
XRF-100-8-1.5	48	69	76	81	84	80	73	62	XRF-100-8-1.5	45	66	73	78	81	77	70	59
XRF-100-8-2	50	71	78	83	86	82	75	64	XRF-100-8-2	47	68	75	80	83	79	72	61

Dimensions in mm

Model	A	B	C	D	E	ØF	G	H	ØI	ØJ
XRF-25	400	176	44	40	140	620	450	360	12	346
XRF-31	423	176	67	40	140	620	500	410	12	416
XRF-35	472	228	64	40	140	770	560	450	12	486
XRF-40	478	228	82	40	128	770	630	530	12	536
XRF-45-4T	550	266	88	50	146	960	710	590	12	596
XRF-45-4M	512	266	88	50	108	960	710	590	12	596
XRF-50-4T	575	296	83	50	146	1090	800	680	12	676
XRF-50-4M	558	296	83	50	129	1090	800	680	12	676
XRF-56-4T	607	296	117	40	154	1090	900	750	14	758
XRF-56-4M	590	296	117	40	137	1090	900	750	14	758
XRF-56-6	589	296	117	40	136	1090	900	750	14	758
XRF-63-4	714	357	136	40	182	1285	1000	850	14	735
XRF-63-6	667	357	136	40	135	1285	1000	850	14	735
XRF-71-4T	740	357	166	40	178	1285	1000	850	14	815
XRF-71-6	689	357	166	40	178	1285	1000	850	14	815
XRF-80-4	840	357	244	50	189	1285	1150	1000	14	905
XRF-80-6	804	357	244	50	153	1285	1150	1000	14	905
XRF-90-4	892	440	213	50	189	1580	1150	1000	14	1020
XRF-90-6	896	440	213	50	193	1580	1150	1000	14	1020
XRF-100-4T	997	440	284	50	223	1580	1250	1100	14	1120
XRF-100-6T-2	940	440	284	50	166	1580	1250	1100	14	1120
XRF-100-6T-3	957	440	284	50	183	1580	1250	1100	14	1120
XRF-100-8T-1.5	940	440	284	50	166	1580	1250	1100	14	1120
XRF-100-8T-2	957	440	284	50	183	1580	1250	1100	14	1120



Characteristic curves

Q = Airflow in m³/h, m³/s and cfm.

Pe = Static pressure in mmH₂O, Pa and in wg.

